

# THUNDER FOR APPLICATIONS WITH LIMITED BACKSIDE CLEARANCE



## OVERVIEW

Kwikbolt temporary fasteners are advanced, precision-engineered solutions trusted across aerospace assembly lines worldwide.

**The Thunder design is focused on the applications with limited backside clearance.** The mechanism of this product range is based in the head which allows the precise ground legs to slide over a centre mandrel to deliver clamping at high loads and with a large grip range (up to 3 inches).

This patented product is available in a complete range of hole diameters and grip ranges and is a direct replacement for automated temporary fasteners, with the added benefit of a lower cost and shorter delivery time.

## SOLUTION

- Designed for **limited blind side clearance applications**
- **Driven legged cylinder mechanism ensures secure clamping**
- Aero Structure Temporary Fastener

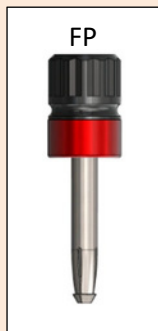
## PRODUCT FEATURES

- **Grip range:** 2.2mm (3/32 inch) to 25.4mm (1 inch)
- **Clamp load:** Clamp load 220N (50lbf) to 16,000N (3,600lbf)
- **Maintains precise hole alignment under load**
- **Suitable for small to medium hole diameters**
- Delivers both **high and low clamp load** performance
- Provides **consistent, repeatable fastening for demanding environments**

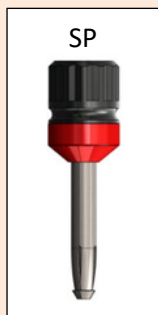


## HEAD TYPES:

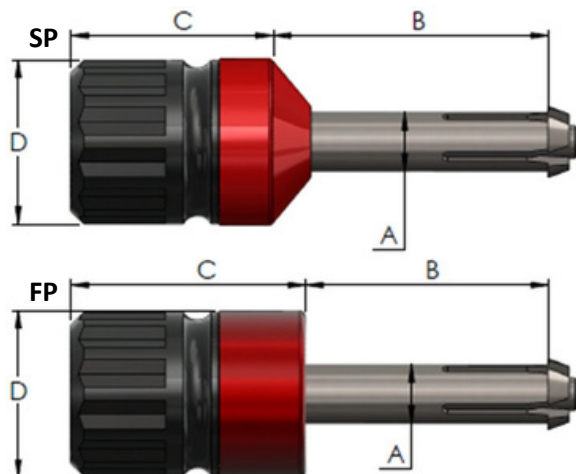
### Flat Protruding:



### Countersunk Protruding:

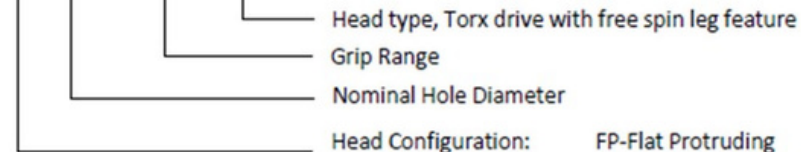


### Torx drive



XX-0632A-XXX-XXX-ZTT3-MM

Kwikbolt Part Numbering



Head Configuration: FP-Flat Protruding  
SP-Countersunk Protruding

MM-Colour coding to customer specifications.

Other loads, tolerances and diameters available to customer requirements

Part Code	A nominal	B*	C min*	D min*	Grip Range*	Clamping Force Range	No of Cycles
	mm (inch)						
0332-T3	2.20 (0.086)	Standard grip range 15mm (0.591") on 30mm (1.181") head height.  However grip range requested can change depending on customer project.	Standard head height 30mm (1.181")  However larger 45mm(1.772") and smaller 19mm (0.748") head height available depending on customer project.	15.5 (0.610)	1mm (0.039) to 50mm (1.969)	222 (50) - 667 (150)	500
0432-T3	3.26 (0.128)			15.5 (0.610)	1mm (0.039) to 75mm (2.953)	222 (50) - 890 (200)	500
0532-T3	3.96 (0.156)			15.5 (0.610)	1mm (0.039) to 75mm (2.953)	222 (50) - 1335 (300)	500
0632-T3	4.76 (0.188)			15.5 (0.610)	1mm (0.039) to 150mm (5.905)	222 (50) - 3,558 (800)	500
0832-T3	6.35 (0.250)			15.5 (0.610)	1mm (0.039) to 150mm (5.905)	222 (50) - 3,558 (800)	500
1032-T3	7.94 (0.313)			15.5 (0.610)	1mm (0.039) to 150mm (5.905)	222 (50) - 5,338 (1,200)	500
1232-T3	9.53 (0.375)			20.5 (0.808)	1mm (0.039) to 150mm (5.905)	222 (50) - 5,338 (1,200)	500
1432-T3	11.15 (0.438)			20.5 (0.808)	1mm (0.039) to 150mm (5.905)	222 (50) - 5,338 (1,200)	500
1632-T3	12.70 (0.500)			20.5 (0.808)	1mm (0.039) to 150mm (5.905)	445 (100) - 6,672 (1,500)	500
1832-T3	14.24 (0.563)			24.5 (0.965)	1mm (0.039) to 150mm (5.905)	445 (100) - 6,672 (1,500)	500
2032-T3	15.90 (0.625)			24.5 (0.965)	1mm (0.039) to 150mm (5.905)	445 (100) - 6,672 (1,500)	500
2432-T3	19.05 (0.750)			35.5 (1.398)	1mm (0.039) to 150mm (5.905)	445 (100) - 8,006 (1,800)	500
3232-T3	25.40 (1.000)	35.5 (1.398)	1mm (0.039) to 150mm (5.905)	445 (100) - 8,006 (1,800)	500		

Head Types | FP = Flat Protruding | SP = Countersunk Protruding

Grip Length Increments | 15mm (0.591")

\* Varies depending on customer project.